

## **EWCC SAILING INSTRUCTIONS 2024**

### **1 RULES**

- 1.1 Except where amended by these Sailing Instructions (SIs), all races will be governed by the rules as defined in the current Racing Rules of Sailing 2021-2024.
- 1.2 When sailing in the deep water channel boats are required to give way to large vessels (commercial & naval) proceeding either to and from the ports of Portsmouth and Southampton or the anchorage at St Helen's Roads.
- 1.3 Each boat sailing in a Class or under the Handicap for that Class shall comply with its Class Rules, which will take precedence. All boats must carry the minimum buoyancy required under their Class Rules (or as built, in the absence of any specific Class Rule).
- 1.4 For all competitors an adequate personal flotation device shall be carried on board, and these shall be worn at all times while afloat, except briefly while changing or adjusting clothing or personal equipment, if
  - (i) they are competing in centreboard dinghies, or small multihulls or
  - (ii) they are under 18 in any class, or
  - (iii) class rules require it, or
  - (iv) flag Y is displayed ashore or from the committee boat;This changes RRS 40.

An adequate flotation device is a life-jacket or buoyancy aid to a minimum of 50 Newtons EN393/ISO12402-5, or 100 Newtons for weak swimmers or non-swimmers.
- 1.5 Racing rules will be changed as follow.
  - Part 4 pre-amble and RRS 40 in SI 1.4 (wearing of personal buoyancy)
  - Definition of AP (SI 4.2 displayed ashore - one hour's notice after removal)
  - RRS 27.1 in SI 8.1 (course to be displayed prior to the Preparatory signal)
  - RRS 31 & 44.1 in SI 13.1 (penalties)
  - RRS 33 in SI 11.1 & 11.2 (course changes)
  - RRS 35 in SI 14 (time limit for handicap races)
  - RRS 37 in SI 20.2 (Flag D in lieu of Flag V)
  - RRS 61.1 (protest notification for boats under 6 metres)
  - RRS 62.1 in SI 10.5 (notification of OCS)
  - RRS 66 (re-opening hearing on last day of a regatta)
- 1.6 In races for Handicap Cruisers the handicap will be as set out in the Entry Requirements on Page 2. In races for handicap dinghies, the Portsmouth Yardstick of the boat, as amended by the organising Club(s) will be used.

### **2 NOTICES TO COMPETITORS**

- 2.1 Notices to competitors will be posted on the official notice board located at the organising Club(s).

### **3 CHANGES TO SAILING INSTRUCTIONS**

- 3.1 Changes to the SIs made prior to 3 hours before the scheduled starting time of a race will be posted in accordance with SI 2.1 except that any change in the schedule of the races will be posted by 18:00 on the day before it will take place. Changes made less than 3 hours before the scheduled starting time of a race started from a Committee Boat will be written on a board displayed on the Committee Boat and indicated by displaying flag 2<sup>nd</sup> Substitute with two sounds.

### **4 SIGNALS MADE FROM ASHORE**

- 4.1. Signals made from ashore will be flown from the flagstaff of the organising Club(s).
- 4.2. Code Flag AP flown from the flagstaff of the organizing Club(s) with two sound signals means the race is postponed. The Warning Signal for any subsequent Committee Boat starts will be made not less than one hour after the AP is lowered with one sound signal (This changes Flag AP).

## 5 SCHEDULE OF RACES

5.1 The schedule of races is as given in the Notice of Race.

## 6 CLASS FLAGS

6.1 Class Flags will be as in the Notice of Race.

## 7 RACING AREA

7.1 The racing area will be in the Eastern Solent (see EWCC chart on the cover of this Programme or RVYC chart).

## 8 THE COURSE

8.1 The Course to be sailed will be displayed by letters, numbers or symbols listed with these SIs no later than the Preparatory Signal. This changes RRS 27.1

8.2 A RED or ORANGE Background to the letter, number or symbol indicates that the buoy shall be rounded to PORT. A GREEN background to the letter, number or symbol indicates that the buoy shall be rounded to STARBOARD. If a board and markers is used then all marks shall be rounded to STARBOARD unless UNDERLINED when they shall be rounded to PORT.

8.3 If two DIAMONDS are displayed on the Course Board, the sequence before the diamonds shall be sailed twice before continuing to the marks displayed after the diamonds. If three DIAMONDS are displayed on the Course Board, the sequence before the diamonds shall be sailed thrice before continuing to the marks displayed after the diamonds.

8.4 When a BLACK AND ORANGE CHEQUERED board is displayed in the Course, the mark(s) preceding this board will be rounded before rounding the marks displayed after the chequered board for the number of times indicated.

8.5 **For all races starting and/or finishing from a Committee Vessel.** Whilst the Orange or Blue or S flag is displayed, and except during their own class's starting sequence or when finishing, no boat shall pass in either direction through the committee vessel start line after rounding the first mark of their course or the committee vessel finish line.

8.6 The above rule does not apply to a finish line if course board £ is displayed as the last mark of the course or round.

## 8.7 SPECIAL COURSES

8.7.1 **Special Course 1** will be a windward/leeward course with a wing mark as described in Appendix 1.1. This will be signalled from the committee boat by displaying a course board with a 1 on it followed by the marks to be rounded in accordance with Appendix 2.

8.7.2 **Special Courses 2, 3 & 4** will be a trapezoid course as shown in Appendix 1.2. These will be signalled from the committee boat by displaying a course board with a 2, 3 or 4 on it. Inflatable marks will be used.

8.7.3. **Special Course 5** will be a windward/leeward course with a leeward finish as shown in Appendix 1.3. This will be signalled from the committee boat by displaying a course board with a 5 on it. The number of rounds to be sailed will be indicated by the number of diamonds displayed on a course board. If a windward spreader, a leeward spreader and/or a leeward gate is to be used, this will be signalled from the Committee boat in accordance with Appendix 2.

8.7.4. **Special Course 6** will be a windward/leeward course with a windward finish as shown in Appendix 1.3. This will be signalled from the committee boat by displaying a course board with a 6 on it. The number of rounds to be sailed will be indicated by the number of diamonds displayed on a course board. If a windward spreader, a leeward spreader and/or a leeward gate is to be used, this will be signalled from the Committee boat in accordance with Appendix 2.

8.7.5 For Special Courses 1, 5 & 6, the start and finish lines may be placed at any point between the windward and leeward marks shown in the diagrams in Appendices 1.1 & 1.3.

## 9 **MARKS**

- 9.1 Marks of the Course will be either inflatable moveable buoys, or navigation buoys or marks permanently laid as shown on the chart of the area reproduced on the cover of this programme and listed in Appendix 2. The Finishing Mark is described in SI 12.

## 10 **THE START**

- 10.1 Races will be started in accordance with RRS 26 (unless varied in the Notice of Race).
- 10.2 The Orange Flag may be displayed (with one sound signal) 5 minutes before the warning signal of the first race. It will be removed when all starters have crossed the starting line.-
- 10.3 Boats whose Warning Signal has not been made shall keep clear of the starting area.
- 10.4. A boat shall not start later than 4 minutes after her starting signal for a 5 minute starting sequence or 9 minutes after her starting signal for a 10 minute starting sequence.
- 10.5 If any part of a boat's hull is on the course side of the starting line at her starting signal and she is identified, the race committee will attempt to hail her sail number. Failure to hail her number, failure of her to hear such a hail, or the order in which boats are hailed will not be grounds for a redress for request. This changes RRS 62.1(a).

### **COMMITTEE BOAT STARTING LINE**

- 10.6 Unless otherwise indicated in the Notice of Race, a Committee Boat Starting Line will be used.
- 10.7 The Committee Boat Starting Line will be between a staff displaying an Orange Flag on the Committee Boat at the starboard end, and the Course side of the starting mark at the port end.
- 10.8 A RIB or inflatable buoy may be attached to the Committee Boat.
- 10.9 The Committee Boat may hold position by using engines.

## 11 **CHANGES OF COURSE AFTER THE START**

- 11.1 A change of course after the start will be signaled before the leading boat has begun the leg, although the new mark may not then be in position. Code Flag C will be flown and either the new Course to be sailed from the mark where it is displayed or the approximate compass bearing to the new mark (or a red rectangle for a change to port or a green triangle for a change to starboard) and a + or – sign to indicate the lengthening or shortening of a leg. This changes RRS 33. A periodic Sound Signal will be made. Any mark to be rounded after rounding the new mark may be relocated to maintain the original Course configuration without further signals. When in a subsequent change of Course a new mark is replaced, it will be replaced with the original mark.
- 11.2 Minor mark moves (up to approximately 100 metres) may be made without signalling the change. This changes RRS 33.

## 12 **FINISH**

- 12.1 Unless otherwise indicated in the Course instructions, the Finishing Line will be between the mast or staff displaying a BLUE flag on the Finishing Committee Boat and the Course side of the Finishing Mark. Except in the case of Special Courses 1, 2 & 3 the Finishing Mark is the last mark of the Course shown, or for a shortened Course the adjacent rounding mark. When the last mark of a course or round is displayed using Course Board £, boats must pass through the finishing line at the end of each round. The S Flag will be substituted for the BLUE Flag if the Course is shortened.
- 12.2 The Finishing Committee Boat may be held position by using engines.

## 13 **PENALTY SYSTEM**

- 13.1 Unless otherwise indicated in the Notice of Race or disallowed under Class Rules, RRS 31 (touching a mark - a one-turn penalty to include one tack & one gybe) and 44.1 (breaking a Part 2 Rule - a two-turn penalty to include two tacks & two gybes) apply.

## 14 **TIME LIMIT**

- 14.1 Unless modified in the NoR, the time limit for any Class will be 3 hours after the actual start of that Class.

14.2 Boats failing to finish within the time limit or 30 minutes (60 minutes for handicap cruisers & MOCRA) after the first boat sails the course and finishes whichever is later will be scored DNF without a hearing. This changes RRS 35, A5.1 and A5.2.

14.3 Should no boat finish within the Time Limit, the result of the race for that class may be determined from a previously recorded time for all boats (taken at the finishing line or rounding mark). This changes RRS 35, A5.1 and A5.2.

## 15 **PROTESTS**

15.1 RRS 61.1 applies with the following change; boats under 6m which are not required to display a Red Protest Flag but shall inform the Race Officer immediately after finishing that they wish to bring a protest. Protests must be submitted in writing within the time limits set out in RRS 61.3. Advisory Hearings and/or the RYA Arbitration Procedure may be available in accordance with the protocol available at the organising Club(s).

15.2 The Jury will hear protests in approximately the order of receipt as soon as possible.

15.3 Protest notices will be posted within 30 minutes of the protest time limit to inform competitors where and when there is a hearing in which they are parties to a hearing or named as witnesses.

15.4 RRS 66.2(a)(2) is changed to 60 minutes.

## 16 **SCORING**

16.1 RRS Appendix A, the low point scoring system will apply, unless the Class Rules state otherwise.

## 17 **OFFICIAL BOATS**

17.1 Craft owned by the organising clubs will normally be used; if private craft are used they will identify themselves to competitors.

## 18 **SUPPORT BOATS**

18.1 Unless providing help to any person or vessel in danger (RRS 1.1), team leaders, coaches and other support personnel shall not be in the racing area from the time of the Preparatory Signal for the first Class to start until all boats have finished or the Race Committee signals a postponement, general recall or abandonment. The penalty for failing to comply with this requirement will be the disqualification of all boats associated with the support personnel involved.

## 19 **TRASH**

19.1 Trash may be placed aboard support or official boats.

19.2 The penalty for breaking RRS 47, Trash Disposal, is at the discretion of the protest committee (DPC) and may be less than disqualification.

## 20 **RADIOS AND MOBILE PHONES**

20.1 The use of VHF radio or mobile phones to gain information that may assist a boat to improve its position is not allowed. However unless modified in the NoR, all keelboat, cruisers & cruising multihulls shall carry a VHF radio & listen on Channel 77 so that safety & race management information may be passed. Failure to receive this information shall not be grounds for redress. This changes RRS 62.1a. A back-up mobile phone on board for use in an emergency is strongly recommended. In the event of Ch 77 being unworkable, Ch 72 will be used.

20.2 RRS 37 (search & rescue instructions) is modified and Flag D with one sound signal will be used instead of Flag V.

20.3 Use of the code word "Code Red" may be used to signify an emergency during racing; until cancelled by the controlling station, radio silence should be observed by those not involved in the emergency. The name of the Club should also be used in the initial transmission.

## 21 **DECLARATIONS, RETIREMENTS, RESULTS & PRIZES**

21.1 Any boat, which crosses the Finishing Line and does NOT signify EITHER that she has retired OR that she is protesting in accordance with RRS 61.1(a) shall be deemed to have

completed the race in accordance with the Sailing Instructions. Declarations are NOT required.

- 21.2 Boats retiring shall report their retirement to the organising Club at the earliest opportunity: BSC (01983 872237) - SVYC (01983 613268) - BHYC (01983 872289) - RVYC (01983 882325)
- 21.3 Results will be posted on the official Notice Board of the organising Club(s) & their websites.
- 21.4 Prize details are given in the Notice of Race.

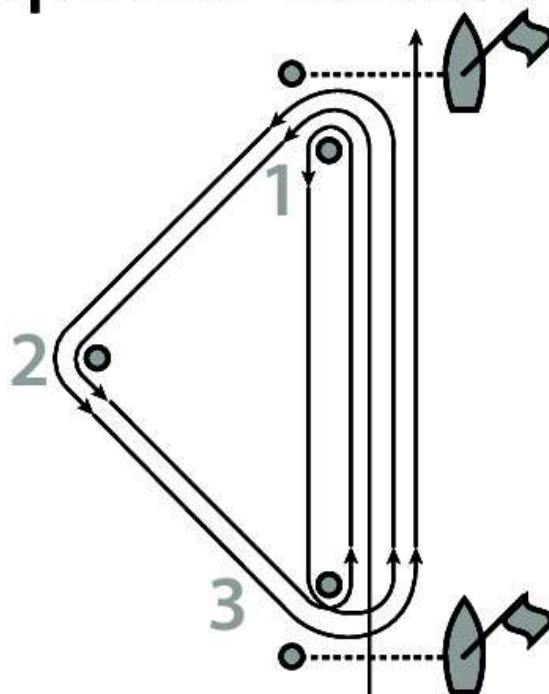
## 22 **RISK STATEMENT**

- 22.1 Rule 3 of the Racing Rules of Sailing states: "The responsibility for a boat's decision to participate in a race or to continue racing is hers alone."
- 22.2 Sailing is by its nature an unpredictable sport and therefore inherently involves an element of risk. By taking part in the event, each competitor agrees and acknowledges that:
  - a. They are aware of the inherent element of risk involved in the sport and accept responsibility for the exposure of themselves, their crew and their boat to such inherent risk whilst taking part in the event;
  - b. They are responsible for the safety of themselves, their crew, their boat and their other property whether afloat or ashore;
  - c. They accept responsibility for any injury, damage or loss to the extent caused by their own actions or omissions;
  - d. Their boat is in good order, equipped to sail in the event and they are fit to participate;
  - e. The provision of a race management team, patrol boats, and other officials and volunteers by the event organiser does not relieve them of their own responsibilities;
  - f. The provision of patrol boat cover is limited to such assistance, particularly in extreme weather conditions, as can be practically provided in the circumstances;
  - g. It is their responsibility to familiarise themselves with any risks specific to this venue or this event drawn to their attention in any rules and information produced for the venue or event and to attend any safety briefing held for the event;
  - h. Their boat is adequately insured, with cover of at least £3 million against third party claims.

## 23. **PRIVACY STATEMENT**

- 23.1 The personal information you provide to the organising authority will be used to facilitate your participation in the event. If you have agreed to be bound by the Racing Rules of Sailing and the other rules that govern the event (the rules), the legal basis for processing that personal information is contract. If you are not bound by the rules, the legal basis for processing that personal information is legitimate interest. Your personal information will be stored and used in accordance with the organizing authority's privacy policy. When required by the rules, personal information may be shared with the RYA, your national authority and/or World Sailing. The results of the event and the outcome of any hearing or appeal may be published.

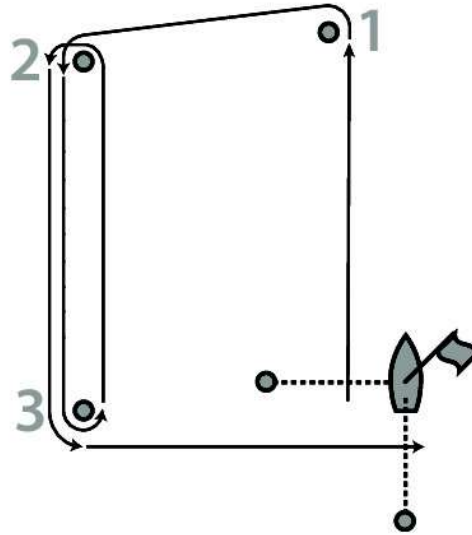
# Special Course 1



Start -1-2-3-1-3-1-2-3-Finish

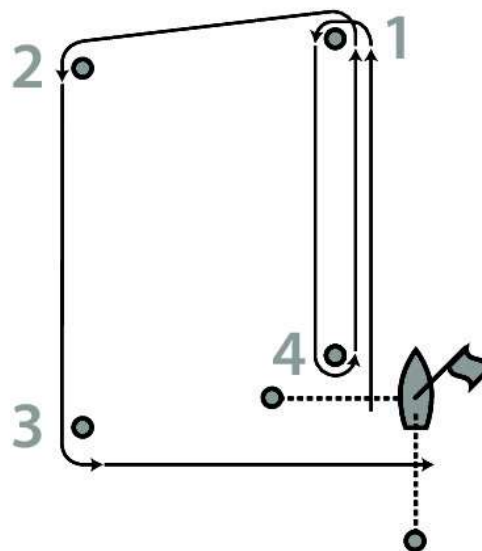
*The Finish Committee Boat may be positioned between Marks 1 & 2.*

## Special Course 2



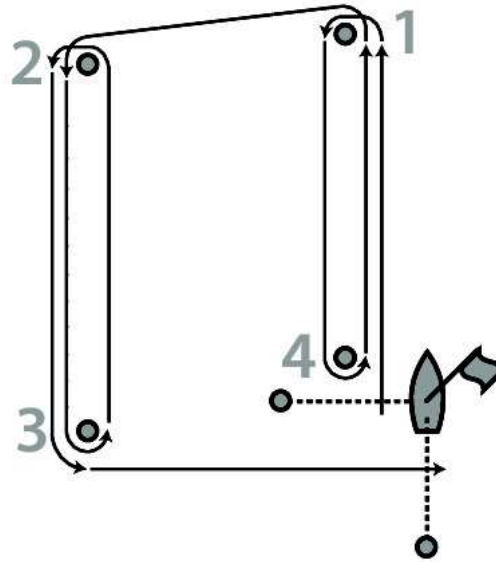
Start -1-2-3-2-3-Finish

## Special Course 3



Start -1-4-1-2-3-Finish

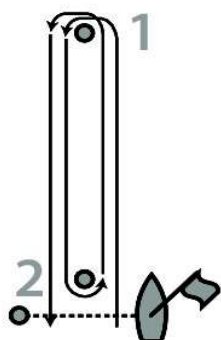
# Special Course 4



Start -1-4-1-2-3-2-3-Finish



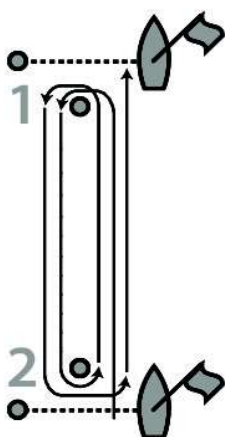
## Special Course 5



1 Round: Start -1-Finish

2 Rounds: Start -1-2-1- 2-Finish

## Special Course 6



1 Round: Start -1-2-Finish

2 Rounds: Start -1-2-1- 2-Finish

*The Start & Finish Committee boat may be positioned in the middle of the upwind leg*

*In the event of there being a leeward gate, boats must pass through it on the way to the finish line*

*Number of rounds indicated by the number of diamonds on a course board. The following course boards may also be used:*

**+W = Windward spreader**

**+L = Leeward spreader**

**+G = Leeward gate**

*The Start & Finish Committee boat may be positioned in the middle of the upwind leg*

*In the event of there being a windward gate, boats must pass through it on the way to the finish line*

APPENDIX 2

| EWCC RACING MARKS WITH ALLOTTED LETTERS, NUMBERS AND SYMBOLS |  |                                      |
|--|--|--------------------------------------|
| A  | ACLAND   | Yellow Spherical/N Cone              |
| B  | BRITTEN  | Yellow Spherical/Black Vertical Line |
| C  | COCHRANE   | Yellow Spherical                     |
| D  | DRUMHEAD   | Yellow Spherical                     |
| E  | UNDER TYNE   | Yellow Spherical                     |
| F  | FITZWILLIAM  | Yellow Spherical                     |
| G  | GARLAND  | Yellow Spherical with White Band     |
| H  | BRADING HAVEN TURNING MARK                                     | Yellow Dan Buoy                      |
| I  | NAB EAST   | Red Channel Buoy                     |
| J  | JONAH  | Yellow Inflatable - Violet Top       |
| JJ   | JANSON (ex-PATCH)  | Yellow Spherical with Black Band     |
| jh   | JENNY HUNTER   | Yellow Spherical                     |
| K  | DERRICK  | Yellow Spherical with Orange Band    |
| L  | SEA VIEW LINE  | Yellow Post                          |
| M  | MORETON  | Yellow Spherical with Orange Band    |
| N  | NAINBY LUXMOORE  | Yellow Spherical                     |
| O  | OLD CHURCH   | Yellow Top Hat Buoy                  |
| Q  | St HELENS  | Red Channel Buoy                     |
| R  | RUTHVEN  | Yellow Spherical                     |
| S  | LOLLIPOP   | Yellow Inflatable - Yellow Top       |
| T  | TARA   | Yellow Spherical                     |
| U  | SOMERS   | Yellow Spherical                     |
| V  | BEMBRIDGE LEDGE  | Yellow/Black East Cardinal           |
| W  | WRECK  | Yellow Spherical                     |
| X  | WARNER   | Red Pillar Buoy                      |
| Y  | FOOTPRINT  | Yellow Top Hat Buoy                  |
| Z  | NAB END  | Red Pillar Buoy                      |
| !  | NAB TOWER  | Nab Tower                            |
| 2  | BRUCE  | Yellow Inflatable - Orange Top       |
| 3  | BERTIE   | Yellow Spherical                     |
| 4  | PIERHEAD   | Yellow Inflatable - Black Top        |
| 6  | BROOKIE  | Yellow Inflatable - Light Green Top  |
| 7  | OUTER MARK   | Yellow Spherical                     |
| 8  | LITTLE DEB   | Yellow Inflatable - Mid-Blue Top     |
| 9  | GORDON   | Red Can                              |
| 11   | OLD 'O'  | Yellow Top Hat Buoy                  |
| 15   | BOOM   | Yellow Inflatable - Red Top          |
| 16   | MAUDSLAY   | Yellow Top Hat Buoy                  |
| @  | BOB  | Red Dan Buoy                         |
|  | BUNNY  | Yellow Inflatable - Pink Top         |
| ILM(10)  | SVYC INNER LINE (Orange Start)                                 | Orange Dan Buoy                      |
|  | SPENCE WILLARD   | Yellow Top Hat Buoy                  |
| #  | PEPE   | Yellow Top Hat Buoy                  |
| †  | BEMBRIDGE TIDE GAUGE   |                                      |
| ▲  | INFLATABLE MARK TO WINDWARD [OPTIONAL 2 ↘s FOR A DISTANT MARK] |                                      |
| ▼  | INFLATABLE MARK TO LEEWARD [OPTIONAL 2 - s FOR A DISTANT MARK] |                                      |
| ◀▶   | INFLATABLE WING MARK   |                                      |
| +  | <b>LAID OUTER LIMIT MARK (COMMITTEE BOAT START/FINISH)</b>     |                                      |
| £  | <b>BOATS MUST GO THROUGH THE FINISH LINE ON EACH ROUND</b>     |                                      |
| +W   | <b>WINDWARD SPREADER MARK (Special Courses 5 &amp; 6)</b>      |                                      |
| +L   | <b>LEEWARD SPREADER MARK (Special Courses 5 &amp; 6)</b>       |                                      |
| +G   | <b>GATE MARK (Special Courses 5 &amp; 6)</b>                   |                                      |