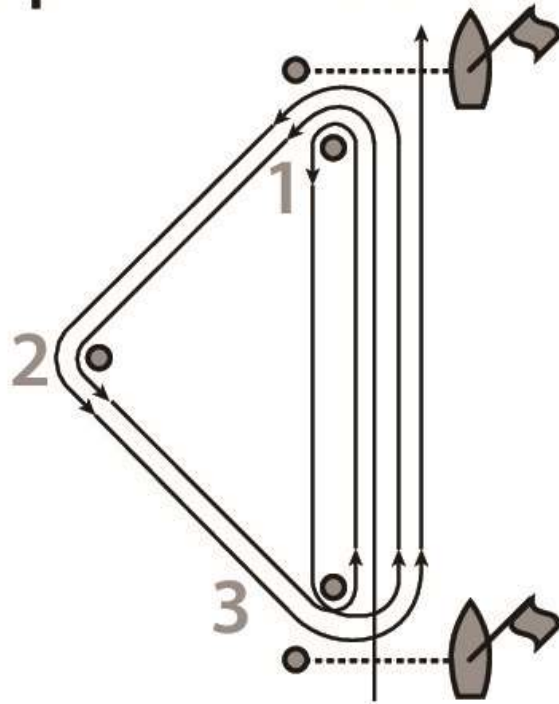


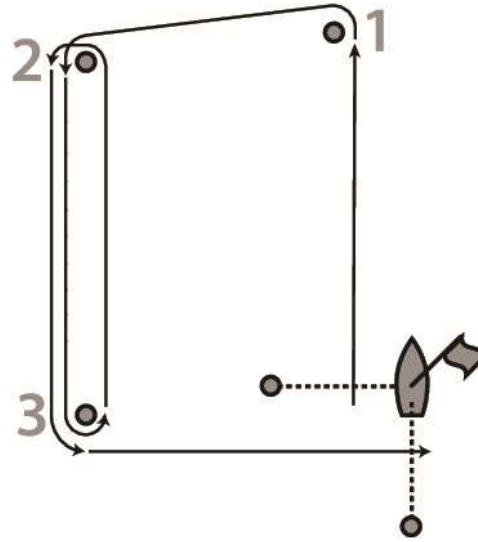
# Special Course 1



Start -1-2-3-1-3-1-2-3-Finish

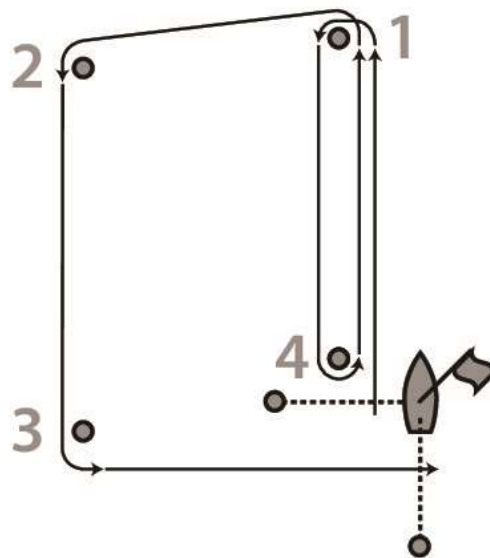
*The Finish Committee Boat may be positioned between  
Marks 1 & 2.*

## Special Course 2



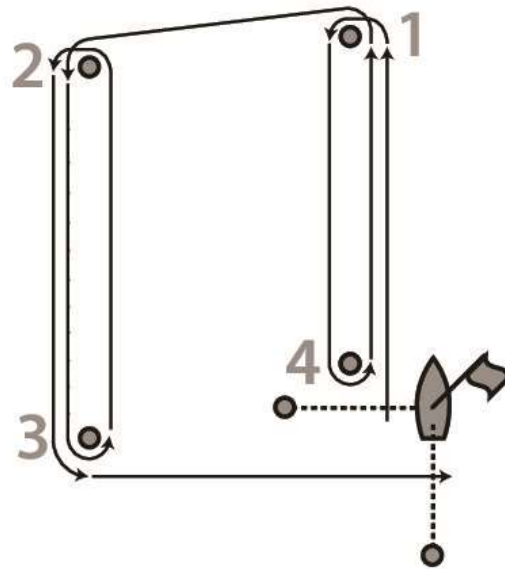
Start -1-2-3-2-3-Finish

## Special Course 3



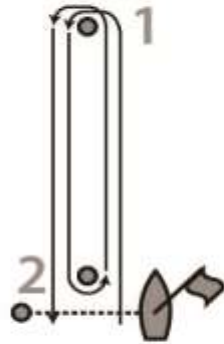
Start -1-4-1-2-3-Finish

# Special Course 4



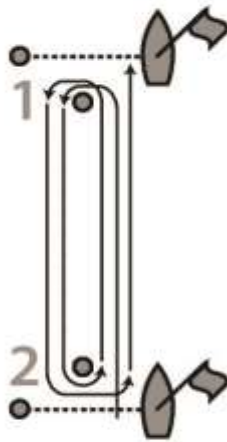
Start -1-4-1-2-3-2-3-Finish

## Special Course 5



1 Round: Start -1-Finish

## Special Course 6



1 Round: Start -1-2-Finish

2 Rounds: Start -1-2-1- 2-Finish

*The Start & Finish Committee boat may be positioned in the middle of the upwind leg*

*In the event of there being a leeward gate, boats must pass through it on the way to the finish line*

*Number of rounds indicated by the number of diamonds on a course board. The following course boards may also be used:*

**+W = Windward spreader**

**+L = Leeward spreader**

**+G = Leeward gate**

*The Start & Finish Committee boat may be positioned in the middle of the upwind leg*

*In the event of there being a windward gate, boats must pass through it on the way to the finish line*